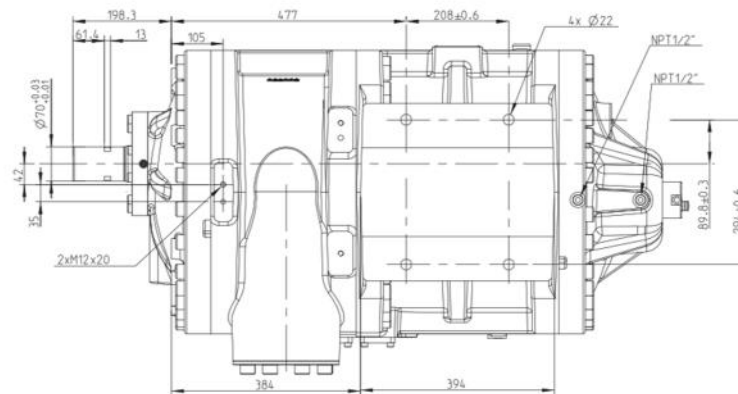
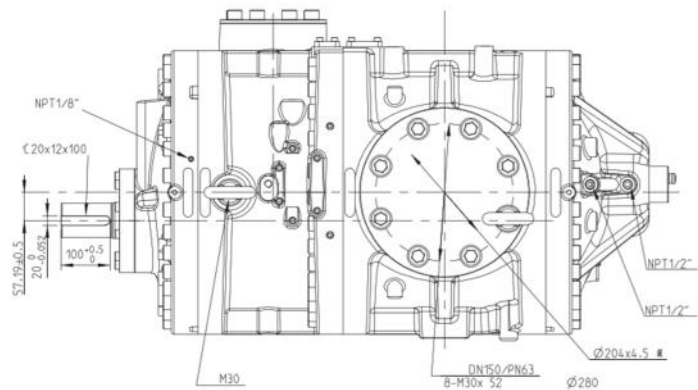
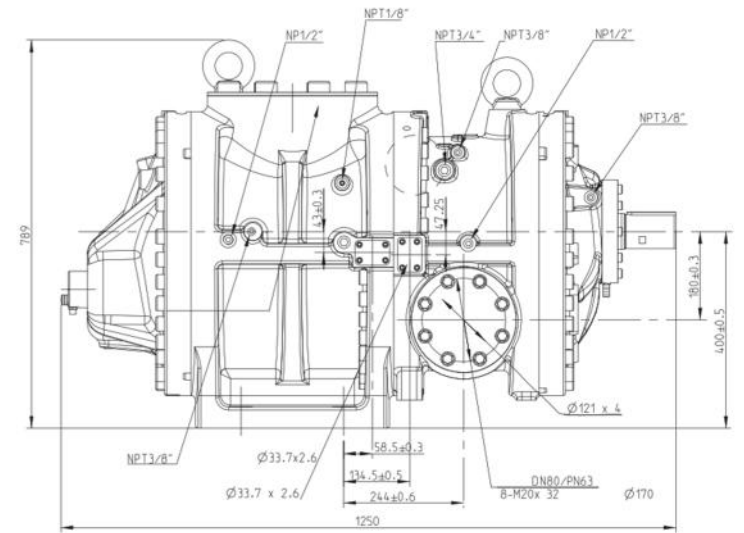
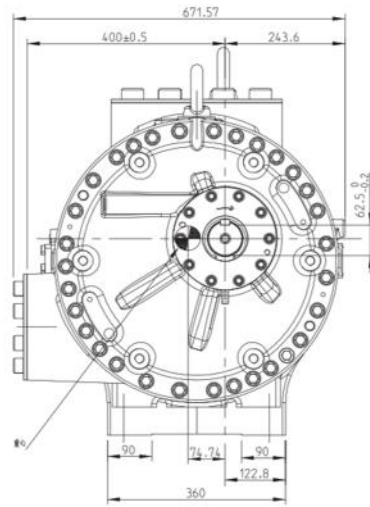
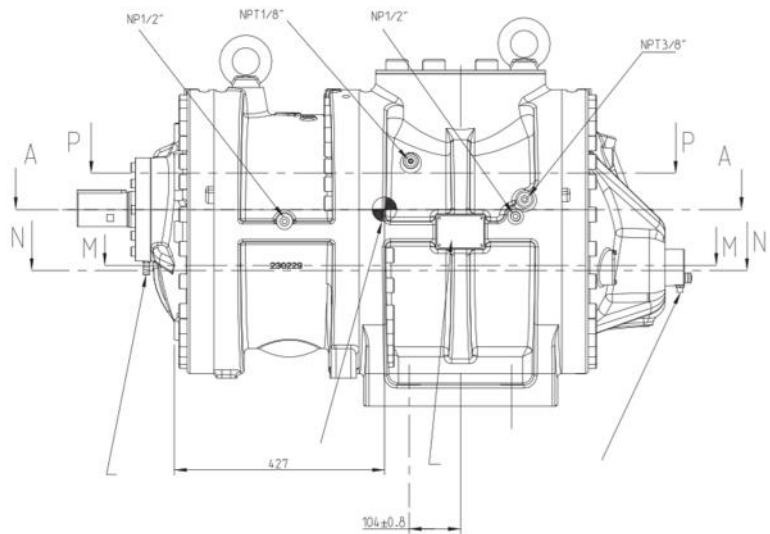


## SRH18 high-pressure open-drive Compressor

[srmtecgroup.com/products/compressors/srh-18/](http://srmtecgroup.com/products/compressors/srh-18/)



SRH 18 Series	
Model	SRH-18M
Displacement @2960 rpm [m3/h]	480
Displacement @3550 rpm [m3/h]	576
Capacity Control	step-less 30% - 100%
Max. rpm	3600
Vi Control	manually adjustable
Vi adjustment range	2.0 – 4.8
Rotation (from end of shaft)	clockwise
Non-return valve suction side	built-in
Suction inlet diameter [mm]	DN 150
Discharge outlet diameter [mm]	DN 80
Eco connection [mm]	DN 25, 32x3
Max operating pressure [bar]	63
Max discharge temperature [C]	130
Suction pressure range [bar]	5-16
Oil injection temperature range [C]	45-90
Min oil pressure	suction pressure +7bar
Length [mm]	1250
Width [mm]	571
Height [mm]	789 (896,5 check-valve)
Weight [kg]	1260



		Snowkey	
		SRH-18M	
	1260	1:5	010082(1/4)
			0