

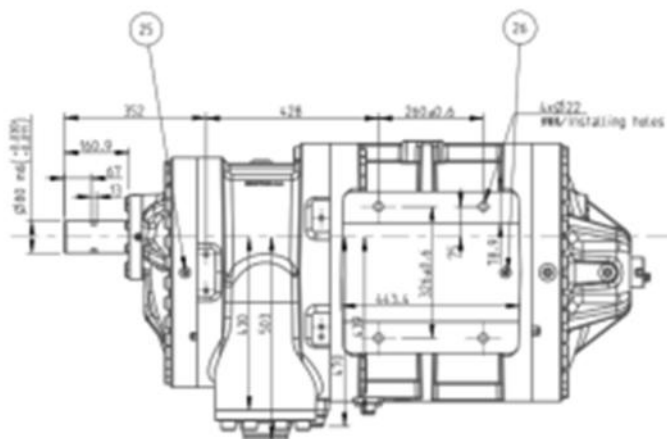
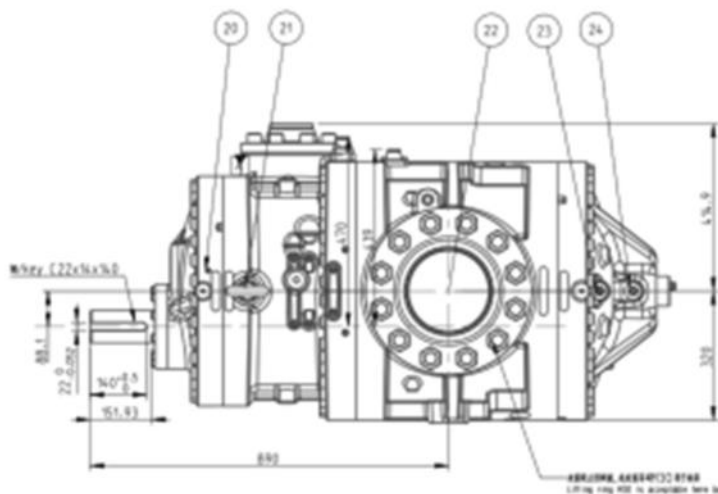
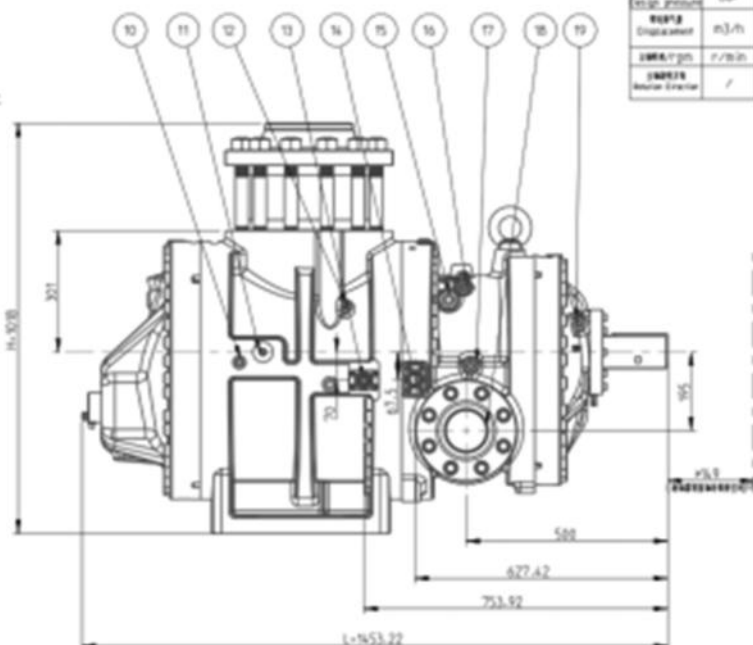
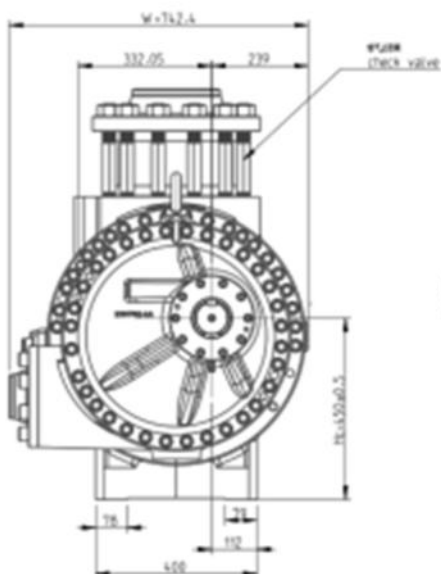
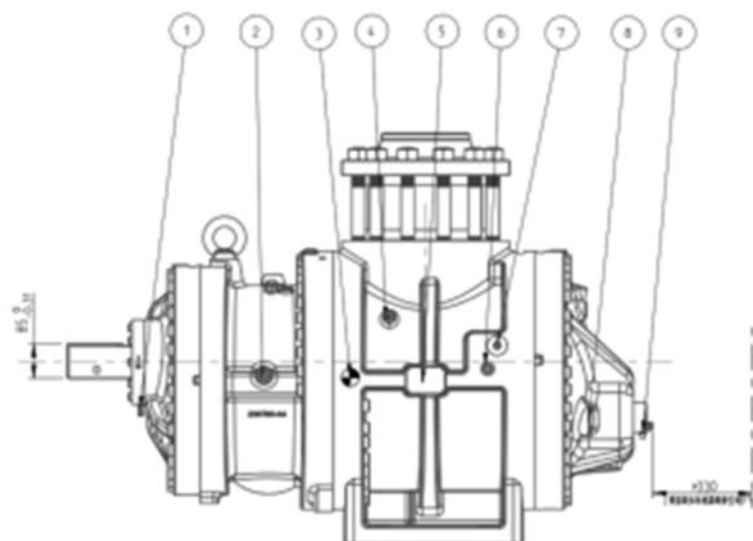
SRH20 high-pressure open-drive Compressor

srmtecgroup.com/products/compressors/srh-20/



SRH 20 Series	
Model	SRH-20M
Displacement @2960 rpm [m3/h]	854
Displacement @3550 rpm [m3/h]	1025
Capacity Control	step-less 30% - 100%
Max. rpm	3600
Vi Control	manually adjustable
Vi adjustment range	2.0 – 4.8
Rotation (from end of shaft)	clockwise
Non-return valve suction side	built-in
Suction inlet diameter [mm]	DN 200
Discharge outlet diameter [mm]	DN 100
Eco connection [mm]	DN 25, 32x3
Max operating pressure [bar]	63
Max discharge temperature [C]	130
Suction pressure range [bar]	5-16
Oil injection temperature range [C]	45-90
Min oil pressure	suction pressure +7bar
Length [mm]	1454
Width [mm]	724
Height [mm]	1018 incl. check-valve
Weight [kg]	1660

N2E/Technical Data			
NO	NO	NO	NO
Name	Unit	parameter	Remarks
N2E	/	R777-R744	
N2E2	bar	6.3	
N2E2	m ³ /h	154 (6000)/1.0-test	2940gph
N2E2	m ³ /h	1030 (6000)/1.0-test	18000gph
N2E2	r/min	1000-1600	
N2E2	/	90° clockwise	90° test, no other direction



- KEY:**
- 1. Leakage of shaft seal
 - 2. Bearing temp. test point of male rotor discharge side NPT1/2 (only for prototype test)
 - 3. Center of Gravity
 - 4. Test point of pressure/connect with suction chamber NPT1/8
 - 5. Name plate
 - 6. Bearing temp. test point of male rotor suction side NPT1/2 (only for prototype test)
 - 7. Injection port of bearing lubrication NPT3/8
 - 8. Solenoid valve variable V1, S-27
 - 9. (Specify sensor interface, non-explosion) 5 pins M12 connector explosion PG9, PG5-Ten
 - 10. Bearing temp. test point of female rotor suction side NPT1/2 (only for prototype test)
 - 11. Injection port of bearing lubrication NPT3/8
 - 12. Test point of pressure/connect with suction chamber NPT1/8
 - 13. Solenoid valve injection part, W.N Range 32x3mmetric (33.7x2.6 imperial)
 - 14. Economiser, if use, W.N Range 32x3mmetric (33.7x2.6 imperial) if not, don't connect pipe
 - 15. Injection part of bearing lubrication NPT3/4
 - 16. Injection part of bearing lubrication NPT3/8
 - 17. Bearing temp. test point of female rotor discharge side NPT1/2 (only for prototype test)
 - 18. Discharge port DN100/PN63, W.N Range 100x4mmetric (114.3x5 imperial)
 - 19. Discharge port of shaft seal NPT3/8
 - 20. Test point of air discharge and pressure test NPT1/2
 - 21. Lifting Ring M27
 - 22. Suction part DN200/PN63, W.N Range 279x6mmetric and imperial share
 - 23. Supply and return loading NPT1/2
 - 24. Discharge part NPT1/2
 - 25. Discharge part NPT1/4
 - 26. Release part NPT1/4