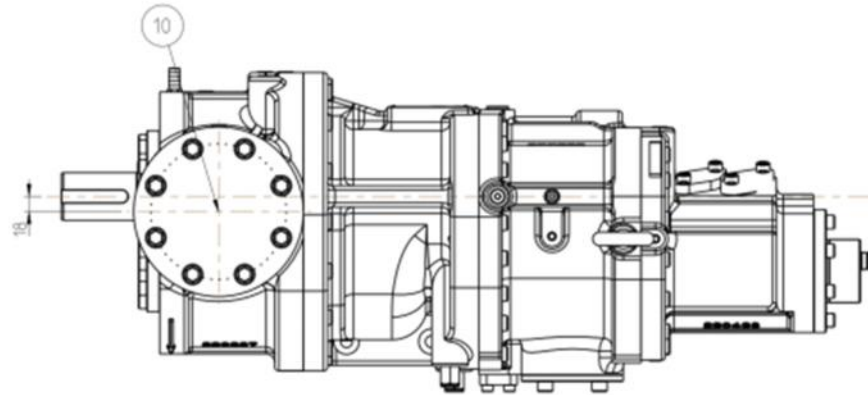
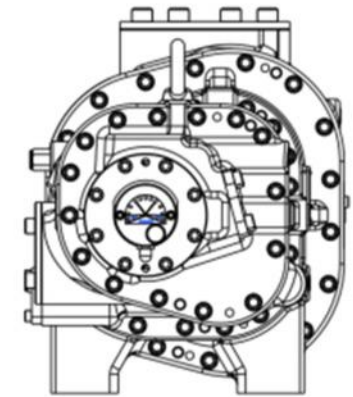
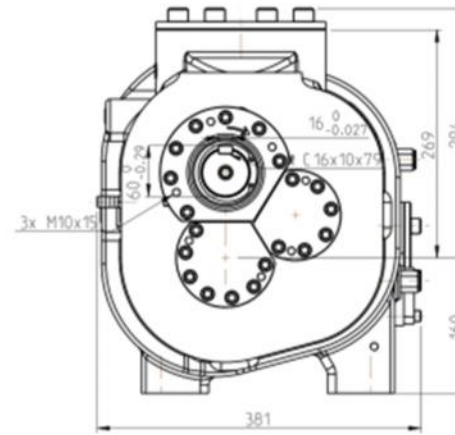
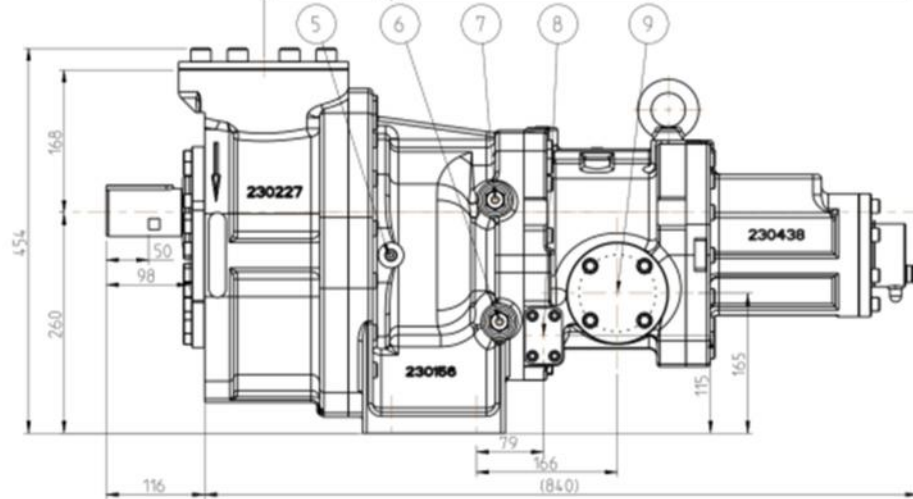
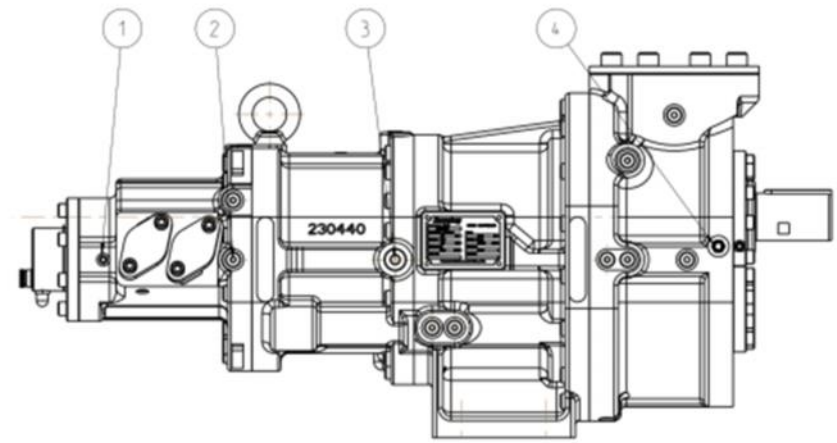
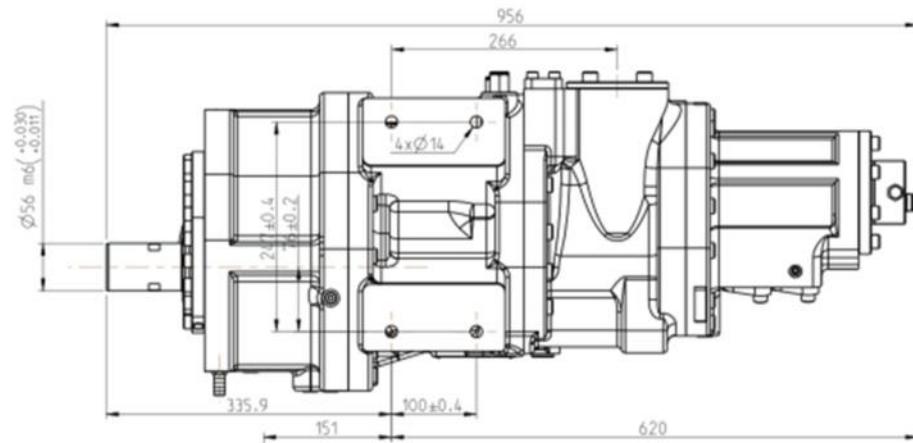


SRM12 single-stage open Compressor

srmtecgroupp.com/products/compressors/srm-12/



SRM12 Series			
Model			SRM12L
Displacement @2960 rpm [m3/h]			265
Displacement @3600 rpm [m3/h]			322
Capacity Control	Step-less 10% - 100%		
Max. rpm	6000		
Vi Control	Fix Vi		
Vi adjustment range	2.0/3.5/5.0		
Rotation, onto compressor and shaft	clockwise		
Non-return valve suction side			built-in
Suction inlet diameter [mm]			80
Discharge outlet diameter [mm]			65
Eco connection [mm]			
Design pressure	28 bar		
Length [mm]			976
Width [mm]			370
Height [mm]			374
Weight [kg]			280



1. NPT 1/8
2. NPT 1/4
3. NPT 1/2
4. Oil drain from shaft seal
5. NPT 1/8
6. NPT 3/8
7. NPT 3/8
8. DN15/PN40(Ø21.3)
9. Ø50/PN40
10. DN80/PN40

		SAMTEC	
		SAM-12L	
		(1/1)	
		AA	