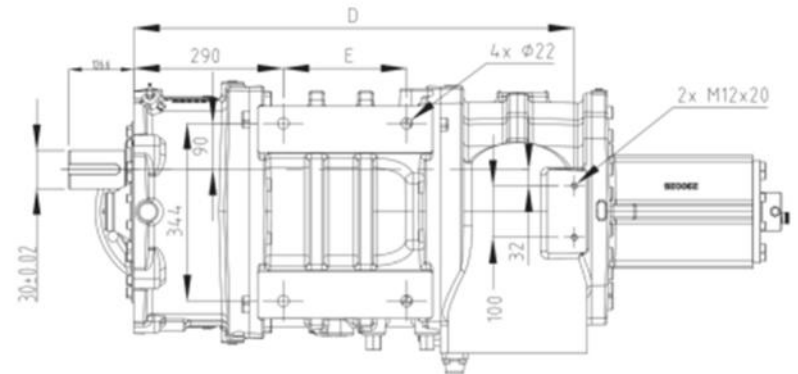
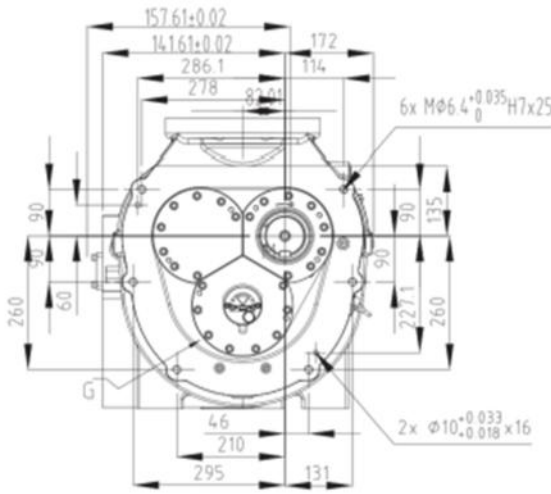
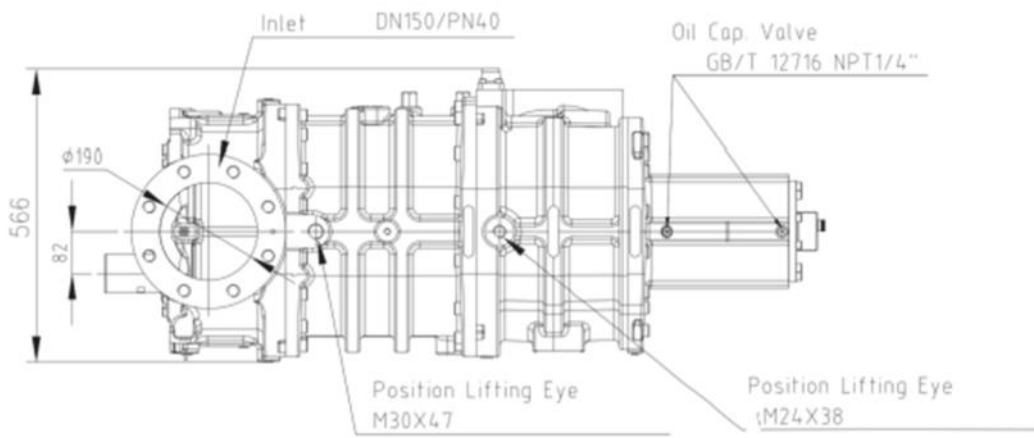
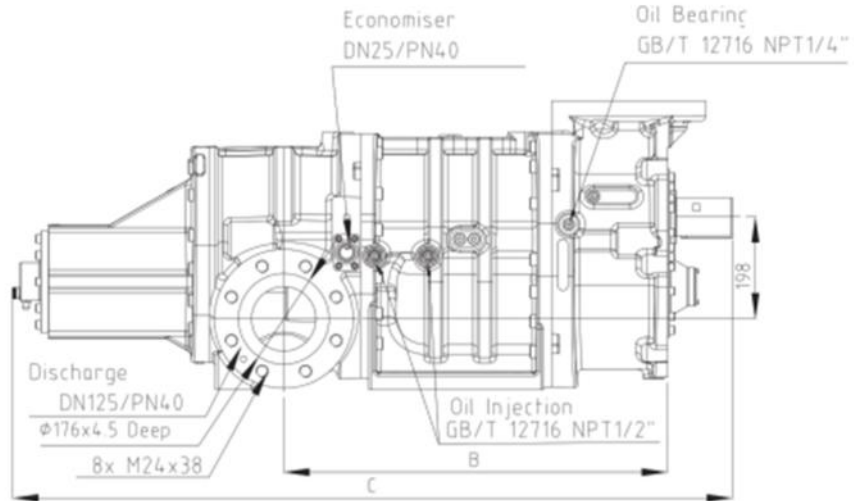
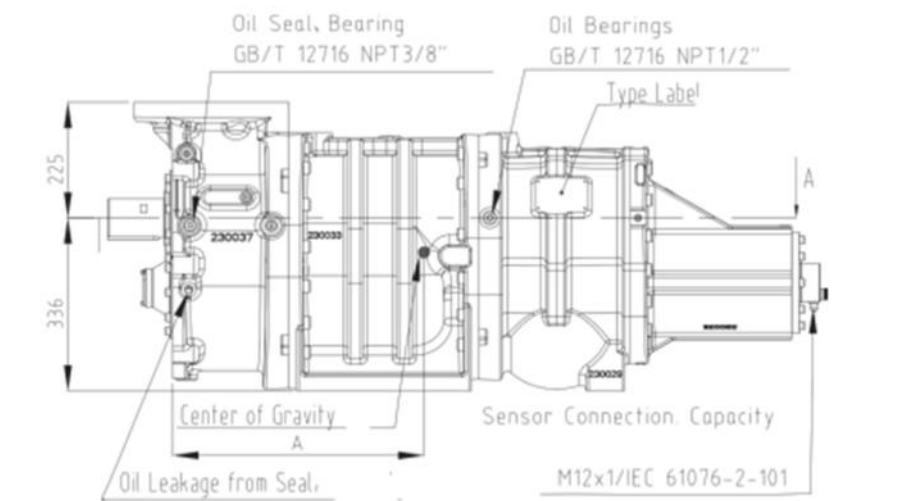


SRM20 single-stage open Compressor

srmtecgroup.com/products/compressors/srm-20/



SRM20 Series				
Model	SRM-20S	SRM-20M	SRM-20L	SRM-20LL
Displacement @2960 rpm [m3/h]	850	1100	1270	1500
Displacement @3600 rpm [m3/h]	1018	1318	1522	1798
Capacity Control	Step-less 10% - 100%			
Max. rpm	4800			
Vi Control	Manual adjustable / Auto Vi			
Vi adjustment range	2.0/3.5/5.0			
Rotation, onto compressor and shaft	clockwise			
Non-return valve suction side	built-in			
Suction inlet diameter [mm]	150	150	150	180
Discharge outlet diameter [mm]	125	125	125	125
Eco connection [mm]	-	-	-	-
Design pressure	28 bar			
Length [mm]	1219	1292	1417	1515
Width [mm]	532	532	532	532
Height [mm]	561	561	561	561
Weight [kg]	745	789	850	990



	20LL	20L	20M	20S
A	594	488	470	430
B	931.10	744.80	693.70	622.30
C	1675	1397	1340.40	1219
D	1041.10	854.80	803.70	732.30
E	340.60	239.80	188.80	117.20